

ZTL-FL-Series

Versatile LED Flood Light / High Mast



Project:	
Type:	
Catalog #:	

170LPW
10 YR WARRANTY
TEMP: 65C (149F)



STANDARD



The ZTL is a premium round LED flood luminaire. It is designed to illuminate a wide variety of settings including commercial and industrial sporting venues, parking lots, and high mast applications. With a die cast aluminum housing and fireproof PC lens standard (120 degree glass lens available), the ZTL provides durability and high performance. High-efficacy, long-life LEDs provide both energy and maintenance cost savings compared to traditional, HID flood lighting

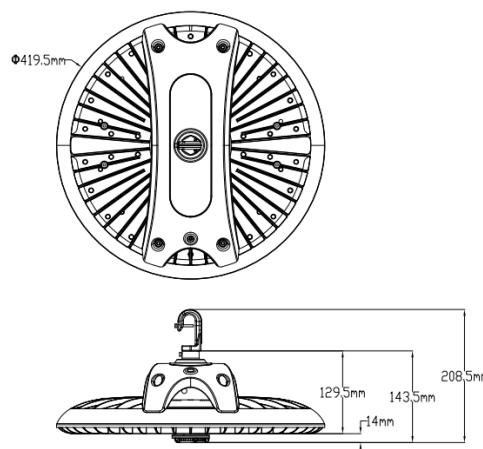
FEATURES

- IP65 waterproof and IK10 corrosion-resistant design.
- Screwless sealed body preventing accumulation of dust and other bacteria
- Delivers up to 110,000 Lumens
- Operating temperature of 65°C
- Unique design allowing air to flow through the fixture and dissipate the heat
- California Title 24 compliant
- Bracket and Shield standard
- Available in 3000K (warm white) 4000k (neutral white) and 5000k (cool white) color temperatures.*
- Long-life LEDs provide 143,000 hours of operation with at least 70% of initial
- Available in 120-277 AC voltage & 347 - 480 AC .
- 0-10vdc dimming drivers are standard.
- Watertight, compression-type electrical connectors.
- Mounting options include suspension from pre-installed mounting hook, yoke mounting, pendant, twin head, and high mast
- Power factor > 0.95
- Total harmonic distortion < 20%.
- Color rendering index > 70 (>80 available)
- Painted die cast aluminum housing.
- Easy installation in new construction or retrofit.
- 5 Year Warranty Standard & 10 Year Warranty Available Upon Request

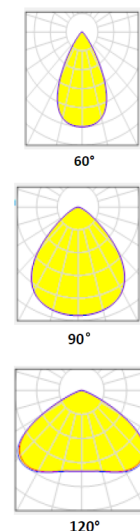
WARRANTY & LISTINGS

- cULus listed for wet locations in ambient temperatures from:
 - 40°C to 65°C (-40°F to 149°F)
- IP65 dusk & water.
- IK10 Corrosion-Resistant
- 3G Vibration Tested
- DLC premium approved.
- Flicker-free per IEEE1789-2015 (no observable adverse effects of flicker at 100% light output level).
- Complies with FCC Part 15, class B.
- Complies with EN61000-4-5, surge immunity protection (4kV).
- 5-year warranty of all electronics and housing. (10 year warranty available upon request)

DIMENSIONS



Photometric Data



* Contact factory for other color temperatures and lumen packages.
 ** L70 hours are IES TM-21-11 calculated hours.

ZTL	10	A	S	7C	LV	BLK	DB-MS-ZG	HM	6D
Model	Luminaire Watts	Lumens Per Watt	Color Temperature	CRI	Voltage	Fixture Color	Control Options	Mounting Options	Optic
ZTL-FL	15 = 150W 20 = 200W 24 = 240W 32 = 320W	A = 140lm/W B = 170lm/W	S = 3000K I = 4000K C = 5000K	7C = 70 CRI 8C = 80 CRI	LV = 120-277V HV = 347V HV1 = 480V	SIL = Silver BLK = Black WHT = White	DS = Daylight Sensor MS = Motion Sensor DB = 1-10v Dimming ZG = Zigbee Control	HM = Chain & Hook AB = Adjustable Bracket SF = Slip Fitter TM = Twin Mount	6D = 60 Degree 9D = 90 Degree 12D = 120 Degree 12-G = 120 DEG GLASS LENS

MOUNTING OPTIONS



Slip Fitter



Adjustable Bracket

Accessories



Plug and play Motion sensor



Plug and play Zigbee and motion sensor



Wireless Zigbee Gateway



Wireless Zigbee Touch Switch



Wireless Zigbee Daylight sensor



Zigbee Remote



1/2" NPT to 3/4" NPT Converter

Electrical Data

Input Wattage		150W	200W	240W	320W
Standard	Efficiency (+/- 5%)	165-180lm/W			
	Delivered Lumens (+/- 5%)	27000lm	36000lm	42000lm	53760lm
	MH Equivalent Wattage	600W-800W	800W-1000W	1000W-1200W	1200W-1500W
Economic	Efficiency (+/- 5%)	130-140lm/W			
	Delivered Lumens (+/- 5%)	21000lm	28000lm	32400lm	44160lm
	MH Equivalent Wattage	400-600W	600W-800W	800W-1000W	1000W-1200W

Input Voltage	100-240VAC/120-277VAC/249-528VAC 50-60HZ
CRI	75+ (80+ optional)
CCT	5000K (3000K, 4000K available)
Beam Angle	30°, 60°, 90°, Custom Optical
Power Factor	≥ 0.95
IP Rating	IP65
Warranty	5 years standard (up to 10 years extra warranty available)
Certifications	ETL cETL DLC Premium FCC SAA CE RoHS CB TUV-GS
Dimming Control	DALI, Zigbee, Bluetooth, Daylight Sensor, Motion Sensor, 0-10V Dimming